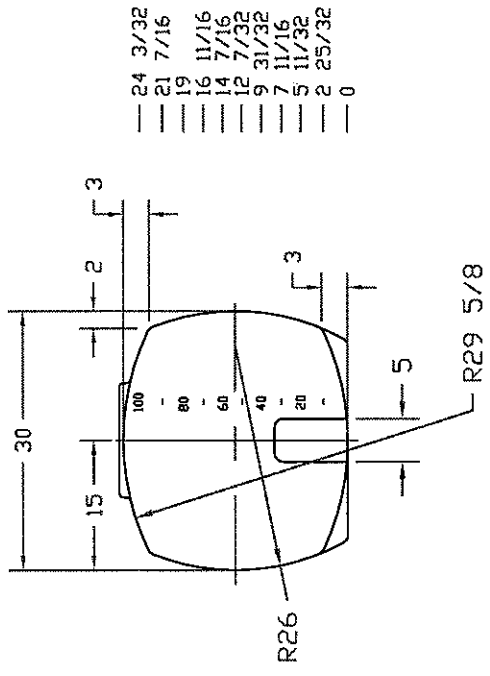
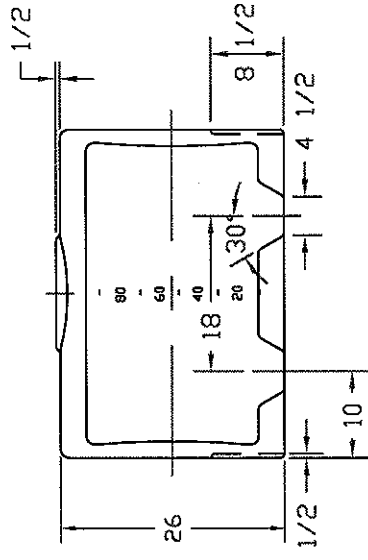
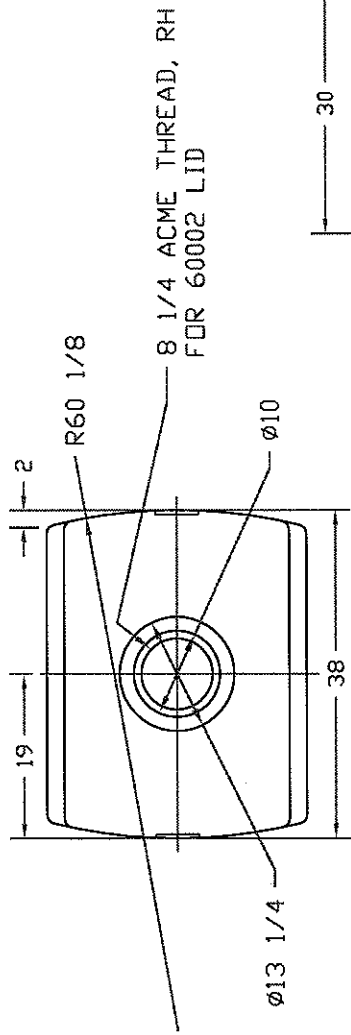


REVISIONS			
ZONE	REV	DESCRIPTION	DATE



- 24 3/32
- 21 7/16
- 19
- 16 11/16
- 14 7/16
- 12 7/32
- 9 31/32
- 7 11/16
- 5 11/32
- 2 25/32
- 0

**NORWESCO**  
ST. BONIFACIUS, MN

100 GALLON PCD TANK

JTP 30JUN95

SIZE B FSCM NO. DWG NO. REV

SCALE 1/16 SHEET